



Technical features:

- Steel case and striker, painted amaranth red
- Brass latch and dead-bolt
- Brass draw-back pull and knob

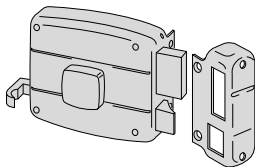
Supplied as standard:

- Striker
- 3 keys item 1.01070.10.1
- Fixing screws

Hand:

- 1 = R.H. inwards
- 2 = L.H. inwards

Type	Description	Cylinder	Throws	Backset	Unit weight 	Pieces 	ITEM			
							Type	Dim.	Hand	Fin.



- Inside draw-back pull and knob
- Dead-bolt and latch



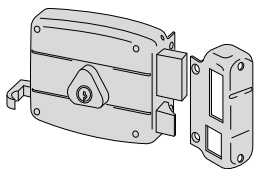
1 02500 00 0

2	40	0,893	1	1 50110 40 1
2	40	0,893	1	1 50110 40 2
2	50	0,950	1	1 50110 50 1
2	50	0,950	1	1 50110 50 2
2	60	1,025	1	1 50110 60 1
2	60	1,025	1	1 50110 60 2
2	70	1,100	1	1 50110 70 1
2	70	1,083	1	1 50110 70 2



1 02552 50 0

2	40	0,890	1	1 50111 40 1
2	40	0,890	1	1 50111 40 2
2	50	0,960	1	1 50111 50 1
2	50	0,954	1	1 50111 50 2
2	60	1,039	1	1 50111 60 1
2	60	1,039	1	1 50111 60 2
2	70	1,100	1	1 50111 70 1
2	70	1,100	1	1 50111 70 2



- Inside draw-back pull and cylinder
- Dead-bolt and latch



1 02102 00 0

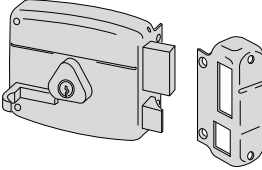
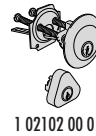
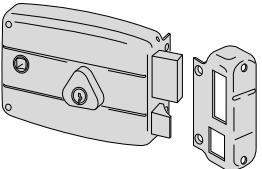
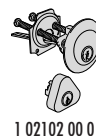

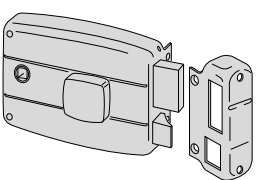


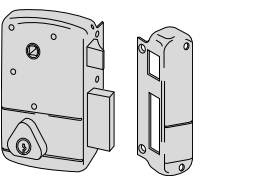
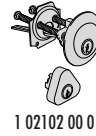

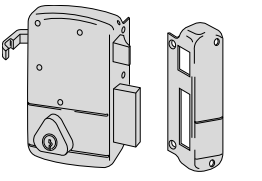
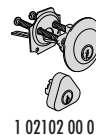
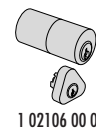
2	40	0,890	1	1 50120 40 1
2	40	0,890	1	1 50120 40 2
2	50	0,960	1	1 50120 50 1
2	50	0,950	1	1 50120 50 2
2	60	1,030	1	1 50120 60 1
2	60	1,030	1	1 50120 60 2
2	70	1,100	1	1 50120 70 1
2	70	1,100	1	1 50120 70 2

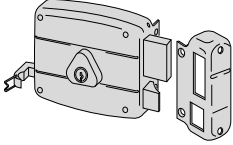
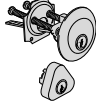
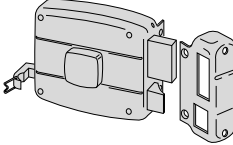

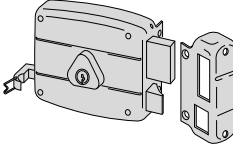
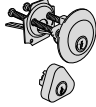


1 02106 00 0

2	40	0,890	1	1 50121 40 1
2	40	0,890	1	1 50121 40 2
2	50	0,950	1	1 50121 50 1
2	50	0,960	1	1 50121 50 2
2	60	1,010	1	1 50121 60 1
2	60	1,010	1	1 50121 60 2
2	70	1,100	1	1 50121 70 1
2	70	1,100	1	1 50121 70 2

Type	Description	Cylinder	Throws	Backset	Unit weight 	Pieces 	ITEM				
							Type	Dim.	Hand	Fin.	Pers. Spec.
 <ul style="list-style-type: none"> • Inside draw-back pull and cylinder • Dead-bolt and latch 	 1 02102 00 0	3 60 1,075 1 1	50125 60 1								
		3 60 1,075 1 1	50125 60 2								
		3 60 1,080 1 1	50126 60 1								
		3 60 1,080 1 1	50126 60 2								
		3 70 1,150 1 1	50126 70 1								
		3 70 1,150 1 1	50126 70 2								
		2 40 0,820 1 1	50130 40 1								
		2 40 0,820 1 1	50130 40 2								
 <ul style="list-style-type: none"> • Inside knob • Dead-bolt only 	 1 02500 00 0	2 50 0,880 1 1	50130 50 1								
		2 50 0,880 1 1	50130 50 2								
		2 60 0,945 1 1	50130 60 1								
		2 60 0,950 1 1	50130 60 2								
		2 70 1,000 1 1	50130 70 1								
		2 70 1,000 1 1	50130 70 2								
		2 40 0,820 1 1	50131 40 1								
		2 40 0,820 1 1	50131 40 2								
		2 50 0,875 1 1	50131 50 1								
		2 50 0,875 1 1	50131 50 2								
		2 60 0,950 1 1	50131 60 1								
		2 60 0,950 1 1	50131 60 2								
		2 70 1,025 1 1	50131 70 1								
		2 70 1,025 1 1	50131 70 2								
		 <ul style="list-style-type: none"> • Inside knob • Dead-bolt only 	 1 02106 00 0	2 40 0,820 1 1	50141 40 1						
				2 40 0,820 1 1	50141 40 2						
2 50 0,880 1 1	50141 50 1										
2 50 0,880 1 1	50141 50 2										
2 60 0,970 1 1	50141 60 1										
2 60 0,960 1 1	50141 60 2										
2 70 1,030 1 1	50141 70 1										
2 70 1,035 1 1	50141 70 2										
 <ul style="list-style-type: none"> • Inside draw-back pull and cylinder • Dead-bolt and latch 	 1 02102 00 0			2 40 0,890 1 1	50160 40 1						
				2 40 0,890 1 1	50160 40 2						
		2 50 0,960 1 1	50160 50 1								
		2 50 0,960 1 1	50160 50 2								
		2 60 1,020 1 1	50160 60 1								
		2 60 1,020 1 1	50160 60 2								

Type	Description	Cylinder	Throws	Backset	Unit weight Kg	Pieces	ITEM					
							Type	Dim.	Hand	Fin.	Pers.	Spec.
 <ul style="list-style-type: none"> • Inside draw-back pull and cylinder • Dead-bolt and latch 		 1 02102 00 0	2	40	0,890	1	1	50161	40	1		
			2	40	0,890	1	1	50161	40	2		
			2	50	0,960	1	1	50161	50	1		
			2	50	0,960	1	1	50161	50	2		
			2	60	1,020	1	1	50161	60	1		
			2	60	1,020	1	1	50161	60	2		
 <ul style="list-style-type: none"> • Inside cylinder • Dead-bolt and latch • Through spindle 		 1 02102 00 0	2	60	1,130	1	1	50170	60	1		
			2	60	1,130	1	1	50170	60	2		
		 1 02106 00 0	2	60	1,146	1	1	50171	60	1		
			2	60	1,160	1	1	50171	60	2		
 <ul style="list-style-type: none"> • Inside knob • Dead-bolt and latch • Through spindle 		 1 02500 00 0	2	60	1,130	1	1	50180	60	1		
			2	60	1,130	1	1	50180	60	2		
		 1 02552 50 0	2	60	1,150	1	1	50181	60	1		
			2	60	1,140	1	1	50181	60	2		
 <ul style="list-style-type: none"> • Inside cylinder • Dead-bolt and latch • Through spindle 		 1 02102 00 0	2	45	1,200	1	1	50210	45	1		
			2	45	1,185	1	1	50210	45	2		
		 1 02106 00 0	2	45	1,180	1	1	50211	45	1		
			2	45	1,180	1	1	50211	45	2		
 <ul style="list-style-type: none"> • Inside draw-back pull and cylinder • Dead-bolt and latch 		 1 02102 00 0	2	45	1,150	1	1	50220	45	1		
			2	45	1,140	1	1	50220	45	2		
		 1 02106 00 0	2	45	1,130	1	1	50221	45	1		
			2	45	1,130	1	1	50221	45	2		

Type	Description	Cylinder	Throws	Backset	Unit weight 	 Pieces	ITEM						
							Type	Dim.	Hand	Fin.	Pers. Spec.		
 <ul style="list-style-type: none"> • Lock case and striker painted in aluminium color • Nickel-plated draw-back pull and cylinder • Hold-open device 		 1 02102 00 0	2	50	0,960	1	1	50320	50	1			
			2	50	0,960	1	1	50320	50	2			
			2	60	1,030	1	1	50320	60	1			
			2	60	1,030	1	1	50320	60	2			
		2	50	0,950	1	1	50321	50	2				
		2	60	1,050	1	1	50321	60	1				
		2	60	1,050	1	1	50321	60	2				
		 <ul style="list-style-type: none"> • Inside draw-back pull and knob • Dead-bolt and latch • Hold-open device 		 1 02500 00 0	2	40	0,910	1	1	50330	40	1	
2	40				0,910	1	1	50330	40	2			
2	50				0,960	1	1	50330	50	1			
2	50				0,960	1	1	50330	50	2			
2	60				1,030	1	1	50330	60	1			
2	60				1,030	1	1	50330	60	2			
 <ul style="list-style-type: none"> • Inside draw-back pull and cylinder • Dead-bolt and latch • Hold-open device 					 1 02102 00 0	2	40	0,910	1	1	50340	40	1
						2	40	0,910	1	1	50340	40	2
		2	50	0,960		1	1	50340	50	1			
		2	50	0,960		1	1	50340	50	2			
		2	60	1,030		1	1	50340	60	1			
		2	60	1,030		1	1	50340	60	2			